

# MAXHUB XCore Kit Pro for Microsoft Teams Rooms

## Model: XCore Kit Pro

MAXHUB XCore Kit Pro is a Microsoft Teams certified video conferencing solution designed for meeting rooms of all sizes. This Teams Rooms kit includes a 11.6 inch touch console and a compute with a 12<sup>th</sup> generation Intel® Core™ i5 Processor. It is a premium version of the MAXHUB XCore Series with built-in wireless content sharing and wired 4K sharing, offering a comprehensive and user-friendly video conferencing experience.



### One Cable Technology

Easy and flexible installation with just one cable required between mini-PC and touch console



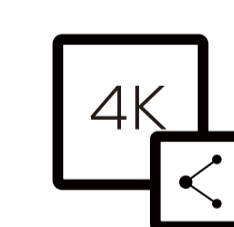
### Dual Room Display

Support to connect dual room display to view both content and camera stream



### Motion Sensor

Automatically sleep/wake your room display on an inactive/active HDMI video signal to save energy



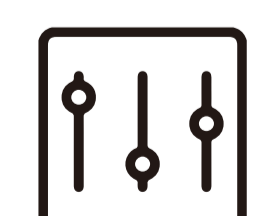
### 4K Content Sharing

Share your content at up to 4K resolution through HDMI in port on XC25T mini-PC



### Wireless Content Sharing

Share your content in teams room with MAXHUB wireless dongle or MAXHUB Share App



### Multiple Console

Support to up 2 console to control simultaneously, better experience for larger space.



### Cloud Device Management

With pre-installed MAXHUB Pivot , IT manager could easily maintain and update XCore Kit Pro without leaving their desk.



### Quality Assurance

XCore Kit Pro comes with a standard warranty of 3 years.



**XCore Kit Pro Package Includes:**

• XC25T Mini-PC	x1
• TCP30T Touch Console	x1

**Package Physical Specification**

• Package Dimension (L*W*H)	365 x 270 x 305 mm / 14.4 x 10.6 x 12 inch
• Gross Weight	6.1 kg / 13.4 lbs

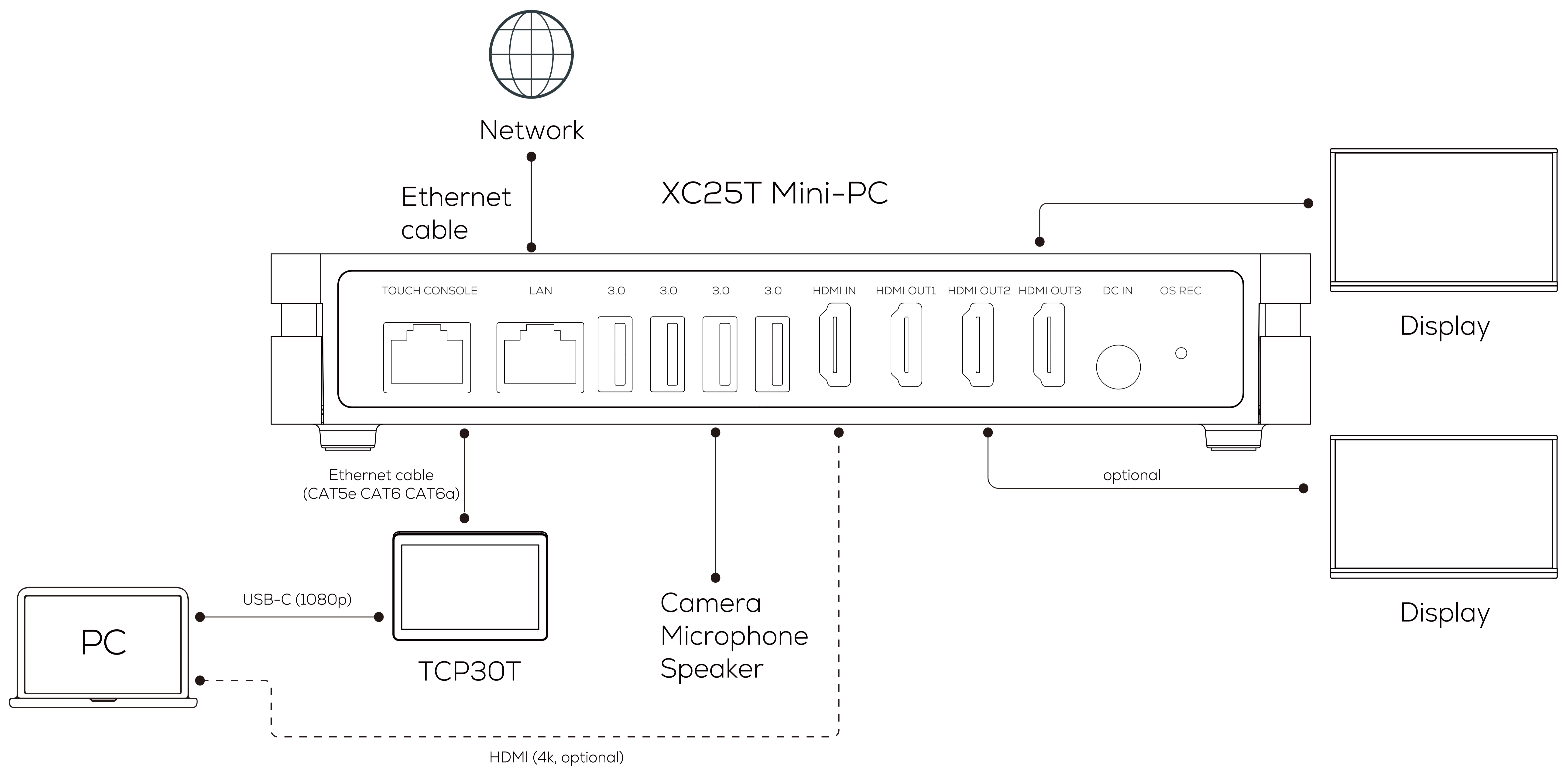
**Optional Accessory**

Wireless Dongle (Content Share )	WT13M or WT13S*
PTZ Camera	UC P30
Table Speakerphone	UC BM45
Wall Mount Bracket	TCP30WM

**Environmental Conditions**

Operation Temperature	0°-40°C / 0°F-104°F
Operation Humidity	10%-90% RH
Storage Temperature	-20°C-60°C / -4°F-140°F
Storage Humidity	10%-90% RH
Altitude	Below 5000 m/ 3.1 miles

**Connection**



**Statement**

Size and weight vary by configuration and manufacturing process, please refer to the actual product. The product images are for illustrative purposes only and may slightly differ in appearance, colour, size, etc. from the actual product. The description, illustrations, etc. in this document may subject to change in accordance with the latest product specification and performance. Should the above-mentioned change in the document become necessary, the document may be updated without written notice.

**XC25T Mini-PC**

General Information		I/O Port	
Device Type	Mini-PC	USB-A 3.0	4
CPU	Intel® Core™ i5-1240P Processor	RJ45 (LAN)	1
Memory	16GB DDR4	RJ45 (Touch Console)	1
Storage	256 GB	HDMI Out	3
Graphic	Intel® UHD Graphics for 12 <sup>th</sup> Gen Intel® Processors;	HDMI In (Content Share)	1
Network	1000Mbps RJ45	AC Power	1
Wi-Fi	Wi-Fi 6	Kensington slot	1
Support Bluetooth	5.1		
Operating System	Windows 11 IoT Enterprise SAC	Power	
Application	Microsoft Teams Room	Power Supply Mode	DC Power In
		Power Requirements	19.5V 6.15A
		Max Power Consumption	120W
Accessories (included in the package)		Physical Specification	
Wall Mount Kits	x1	Product Demension	196 × 196 × 40 mm / 7.7 × 7.7 × 1.57 inch
HDMI Cable (3m / 9.8ft)	x2	Product Weight	1.12 kg / 2.47 lbs
Power Adapter	x1		
Power Cable	x1		

**Touch Console TCP30T**

Display			
Size	11.6 inch		
Resolution	1920 × 1080		
Frequency Refresh Rate	60Hz		
Back Light Unit	ELED		
Brightness With Glass	Min.250cd/m <sup>2</sup> , Typ.300cd/m <sup>2</sup>		
Life Time	≥ 20000 Hours		
Touch System			
Type	Capacitive touch		
Surface Treatment	Anti-fingerprint, Anti-glare		
I/O Port		Accessories (included in the package)	
USB-C (Content sharing)	1	USB-C Cable (1.8m / 5.9 ft)	x1
USB-A 2.0 (For USB Audio Peripherals, Keyboard, Mouse Only)	1	Ethernet Cable (7.5m / 24.6 ft)	x1
RJ45 (To Connect XC25T Mini-PC)	1		
RJ45 ( For Optional 2nd Touch Console)	1	Physical Specification	
Audio Out (Headphone, Without Mic)	1	Product Demension	278 x 164 x 82 mm / 11 x 6.4 x 3.2 inch
USB-A 2.0 (For Wireless Dongle Pairing)	1	Product Weight	1.16 kg / 2.56 lbs
Sensor			
Motion Sensor	PIR sensor for auto wake-up		

# MAXHUB

Where Inspiration Moves Ahead.

 [www.maxhub.com/](http://www.maxhub.com/)

 [sales@maxhub.com](mailto:sales@maxhub.com)

 <https://www.youtube.com/c/MAXHUB>

 <https://www.facebook.com/MAXHUB.Global>

 <https://www.linkedin.com/company/maxhub-overseas/>